

## NEW TYPE OF SEALING

Dear customer,

We would like to introduce a new solution of the bottom sealing for industrial door to you. In co-operation with the supplier and thanks to our experience, we have reached excellent results concerning all key properties of the product. It is demonstrated by top results achieved during the certification. The new solution considerably exceeds the requirements of the European standards in the area of forces operating in case of an impact on a barrier, whereby it minimizes damage to property or actual bodily harm.

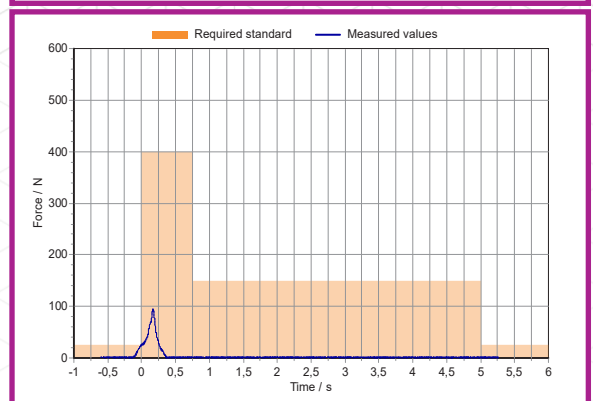
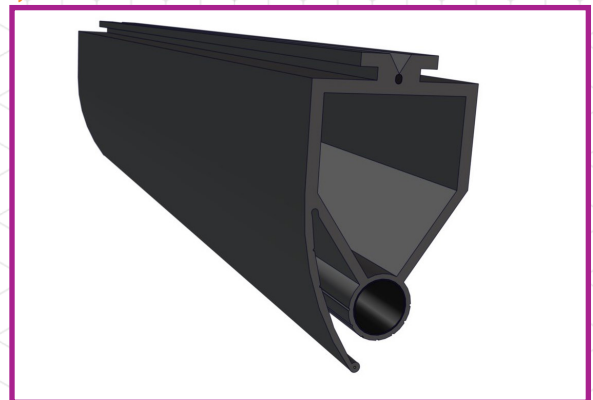
The whole sealing is made of a thermoplastic elastomer (TPE), which combines the best properties of elastomers and thermoplastic materials. Its functional properties do not change in case of temperature changes and impact of UV radiation. Furthermore, the used materials are fully recyclable and hence they do not burden the environment. With respect to design, the sealing consists of two chambers, a sealing flag and a "T" profile.

**The big upper chamber** provides space for deformation of the sealing in case of contact with a barrier and, at the same time, it enables a simple installation of cabling of the safety items.

**The smaller lower chamber** is used for the installation of an optical or pneumatic bar. Inside, it is covered with a reflective EVA layer, which ensures an optimum transfer of infrared beams of the optical items. Thanks to this design, we have managed to achieve balanced functionality of the door of discretionary dimensions.

**The sealing flag** is located on the outer side. With its clean design, it underlines the overall appearance of the door and ensures their full sealing. Therewith, the thermal losses are minimized.

The image of the new type of the sealing slightly differs from the old one. When you see the door with different types of the sealing next to each other, there are small visible optical differences. It shall be considered when ordering spare parts.



**Old type of sealing (material EPDM)**  
**BAAN code: T09-020-20-0008**



**New type of sealing**  
**BAAN code: T09-020-20-0014**

